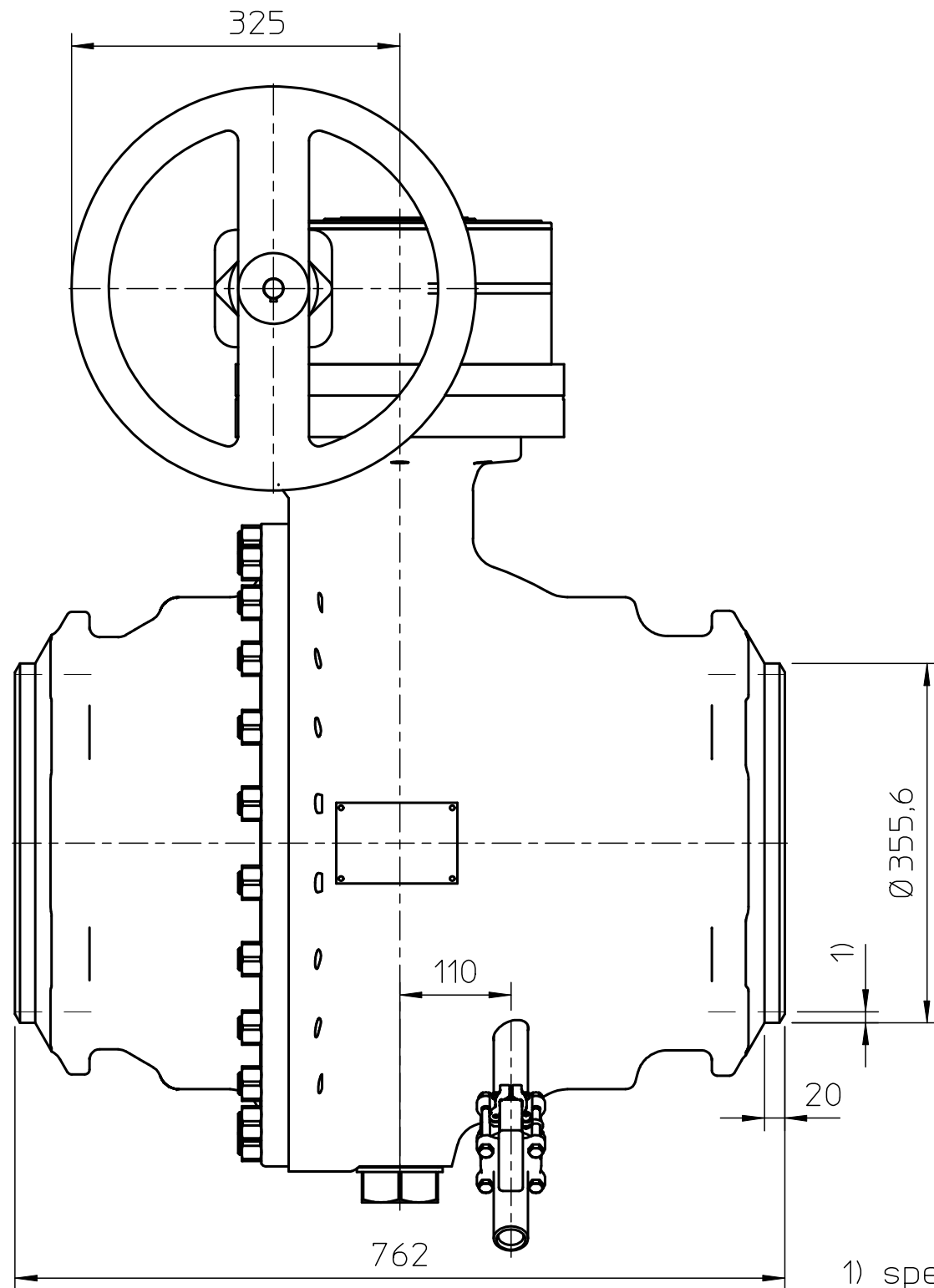
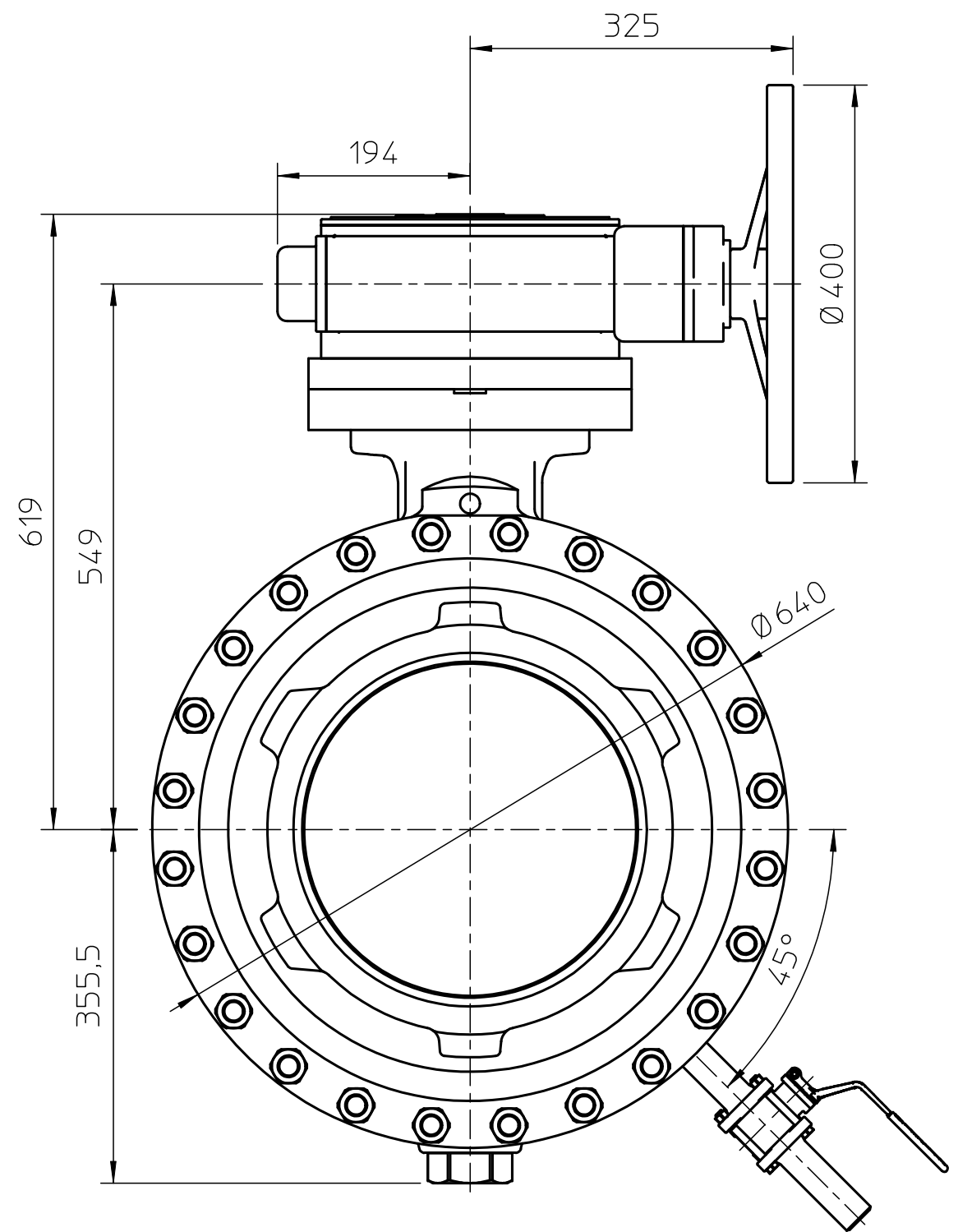


KLINGER ballostar ball valve type KHSV(W)I 350 VII-AF(799)-KFC PN25, with worm gear type AUMA GS125.3/VZ4.3/H.



1) spec. by purchaser



drain cock DN25

total weight: ca. 619kg

drw.: 21.10.10 SA

w0H31780-5